

Fiber Optical PLC Splitter

Description

Planar light wave circuit (PLC) splitter is a type of optical power management device that is fabricated using silica optical waveguide technology.

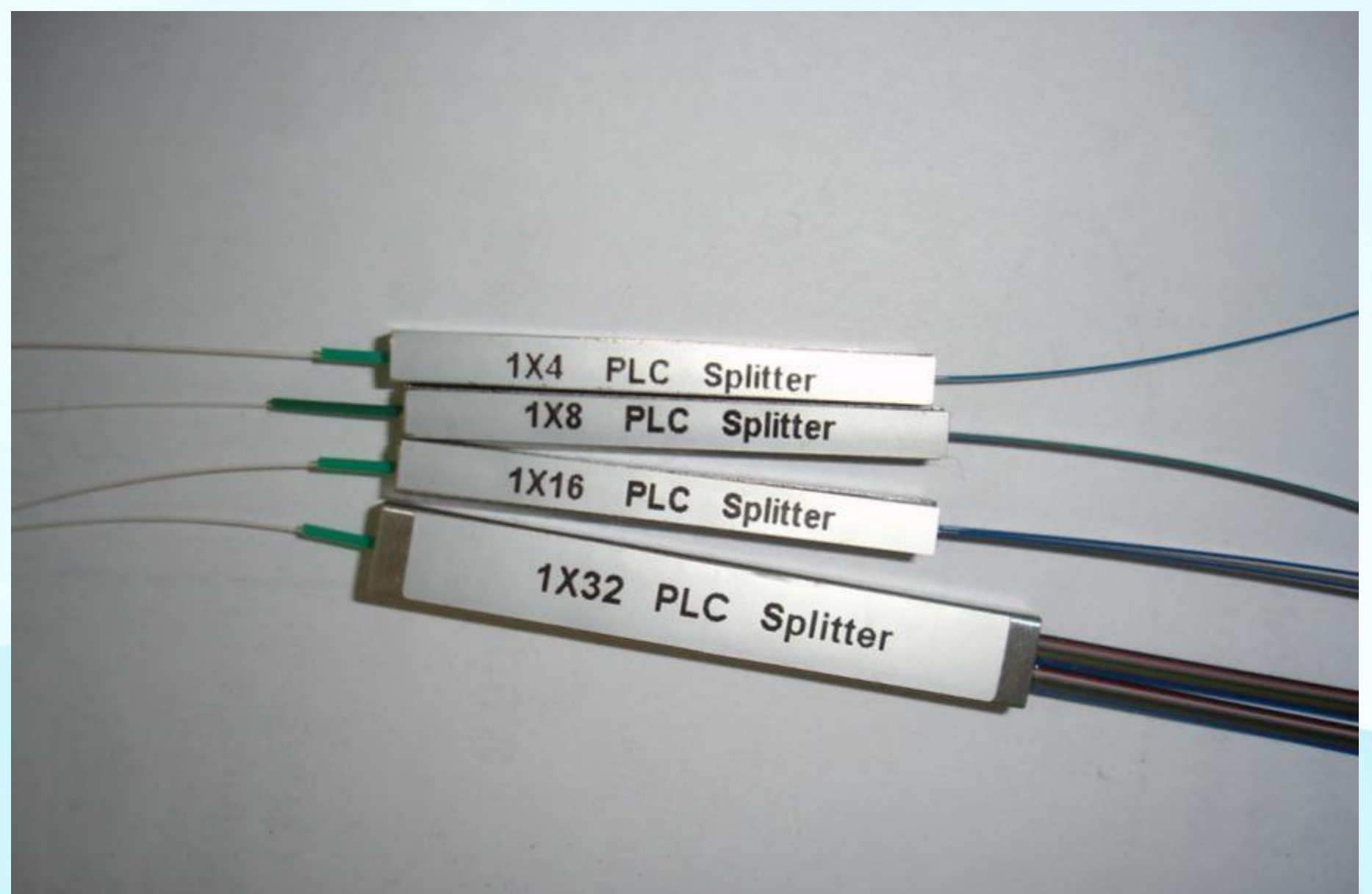
It features small size, high reliability, wide operating wavelength range and good channel-to-channel uniformity, and is widely used in PON networks to realize optical signal power splitting.

We provide whole series of 1xN and 2xN splitter products that are tailored for specific applications.

All products meet GR-1209-CORE and GR-1221-CORE requirements.

Features

- ◆ Low Insertion loss
- ◆ Low PDL
- ◆ Compact Design
- ◆ Good channel-to-channel uniformity
- ◆ Wide Operating Wavelength:
From 1260nm to 1650nm
- ◆ Wide Operating Temperature:
From -40°C to 85°C
- ◆ High Reliability and Stability



Applications

- ◆ FTTH Systems
- ◆ PON Networks
- ◆ CATV Links
- ◆ Optical Signal Distribution

Compliance

- ◆ Telcordia GR-1209-CORE
- ◆ Telcordia GR-1221-CORE
- ◆ RoHS

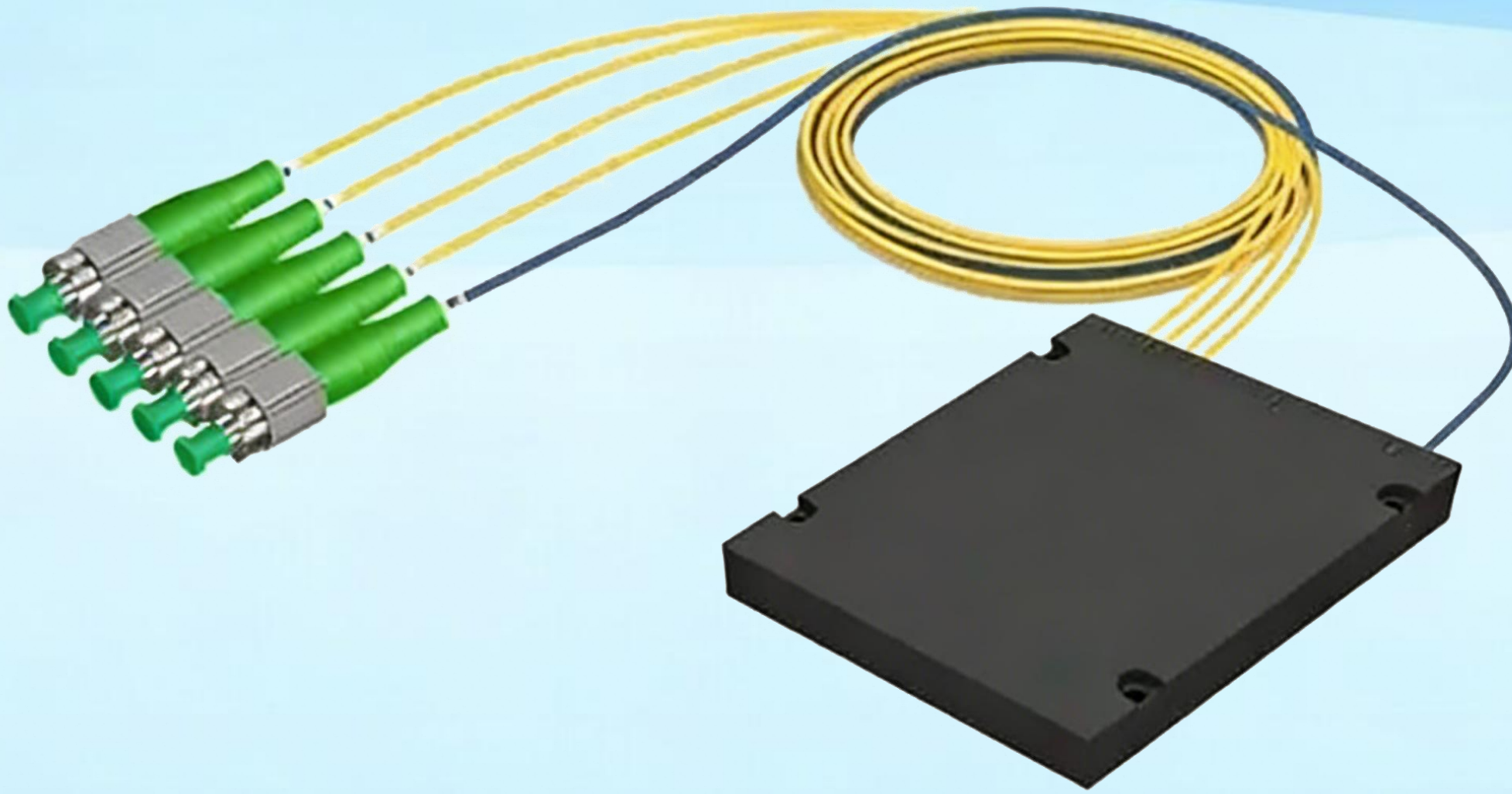
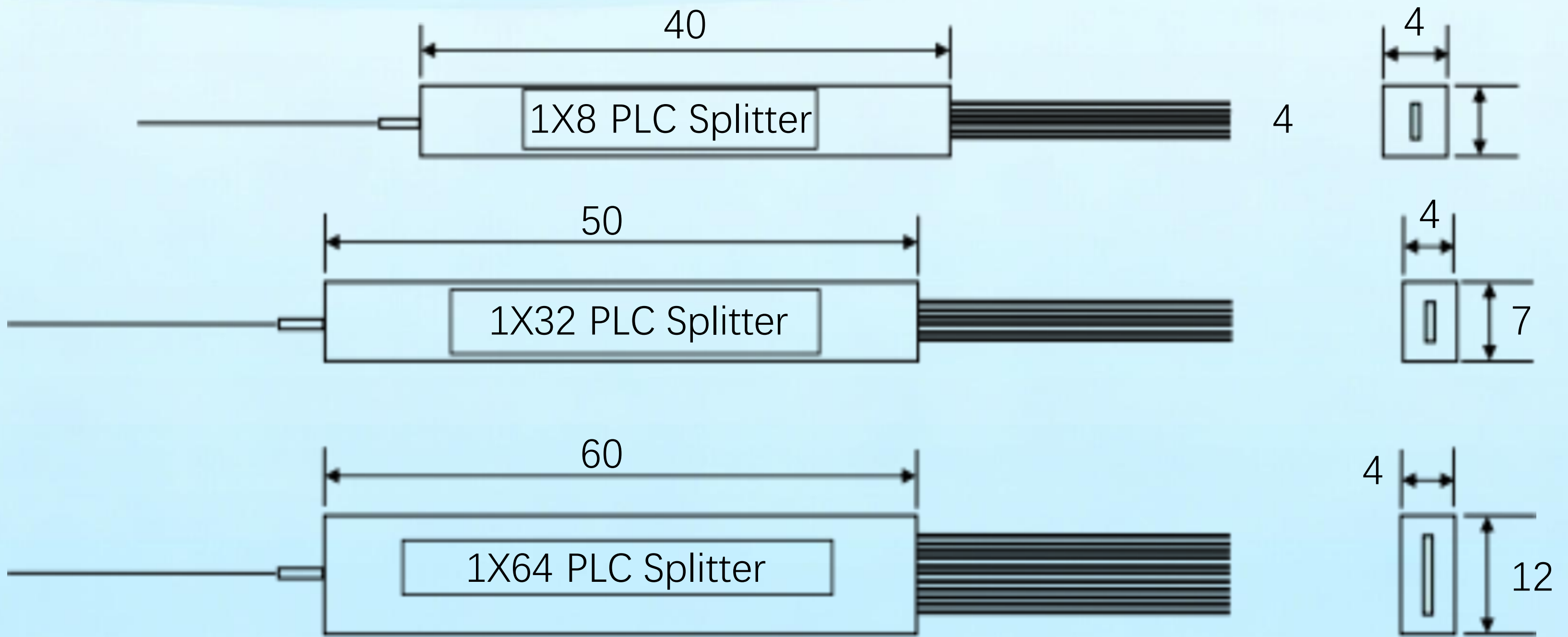


Table 1 – 1×N PLC Splitter

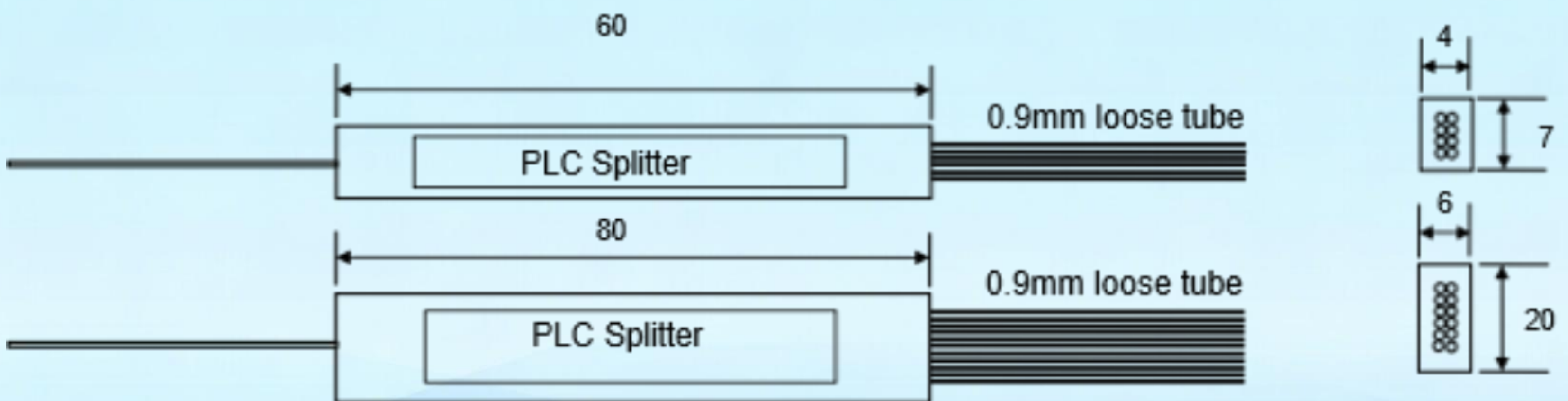
Parameters	1×2	1×4	1×8	1×16	1×32	1×64	1×128
Operating Wavelength (nm)	1260~1650						
Fiber Type	G657A1 or customer specified						
Insertion Loss (dB) (P/S Grade)	3.8/4.0	7.1/7.3	10.2/10.5	13.5/13.7	17/17.4	20./20.4	23.8/24.2
Loss Uniformity (dB)	0.4	0.6	0.8	1.2	1.5	2.0	2.5
Polarization Dependent Loss(dB)	0.2	0.2	0.2	0.25	0.3	0.35	0.4
Return Loss (dB) (P/S Grade)	55/50	55/50	55/50	55/50	55/50	55/50	55/50
Directivity (dB)	55	55	55	55	55	55	55
Wavelength Dependent Loss (dB)	0.3	0.3	0.3	0.5	0.5	0.5	0.5
Temperature Stability (-40~85 °C)(dB)	0.4	0.4	0.4	0.5	0.5	0.5	0.5
Operating Temperature (°C)	-40~85						
Storage Temperature (°C)	-40~85						
Device Dimension (mm)	4x4x40	4x4x40	4x4x40	4x7x50	4x7x50	4x12x60	N/A
Module Dimension (mm)	100x80x10	100x80x10	100x80x10	120x80x18	120x80x18	141x115x18	140x115x18
Mini-Module Dimension (mm)	4x4x40	4x7x60	4x7x60	4x12x60	6x20x80	6x40x80	N/A

Dimensions

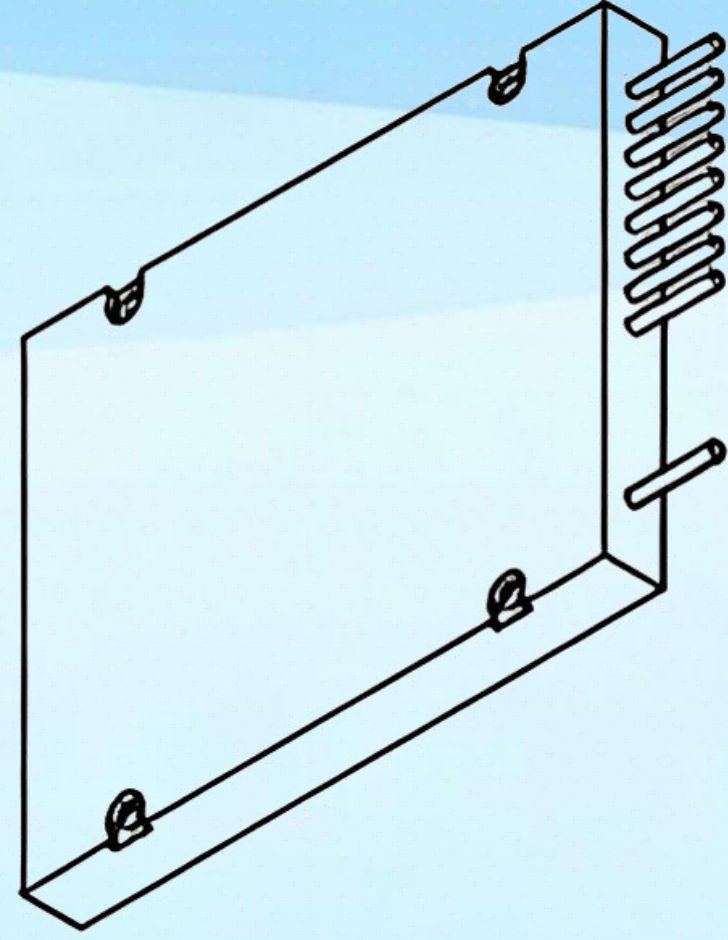
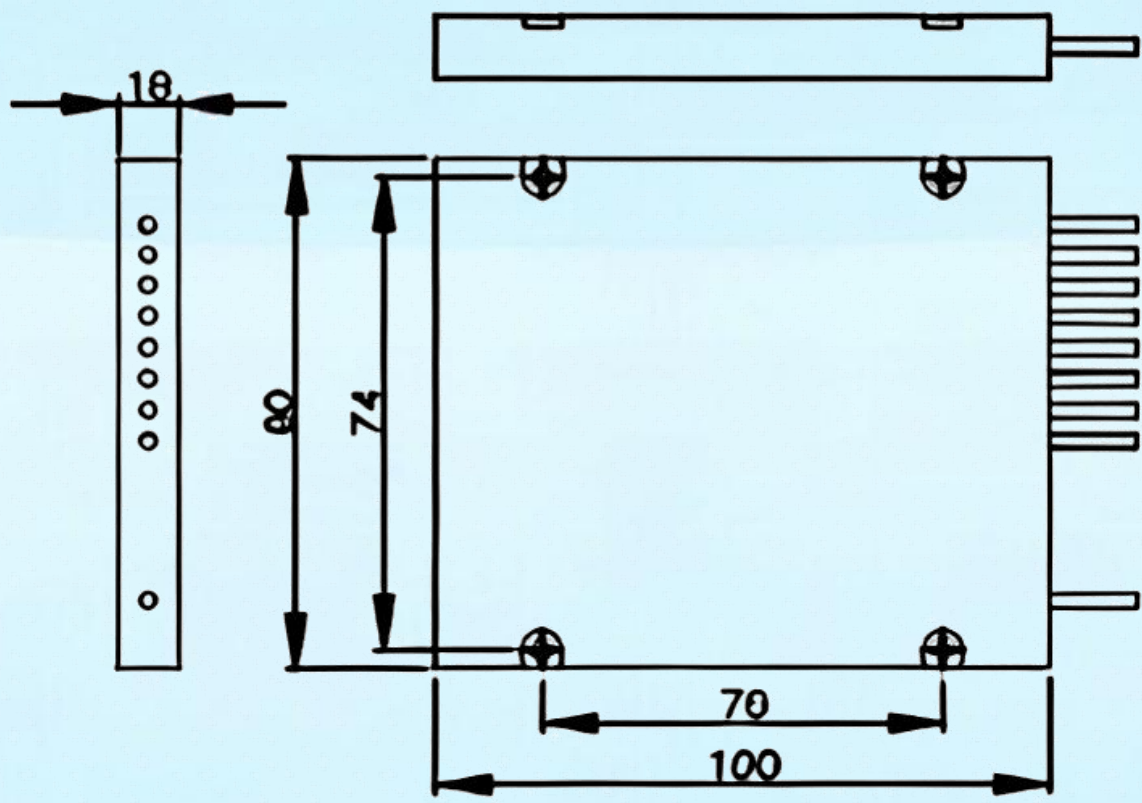
PLC Splitter



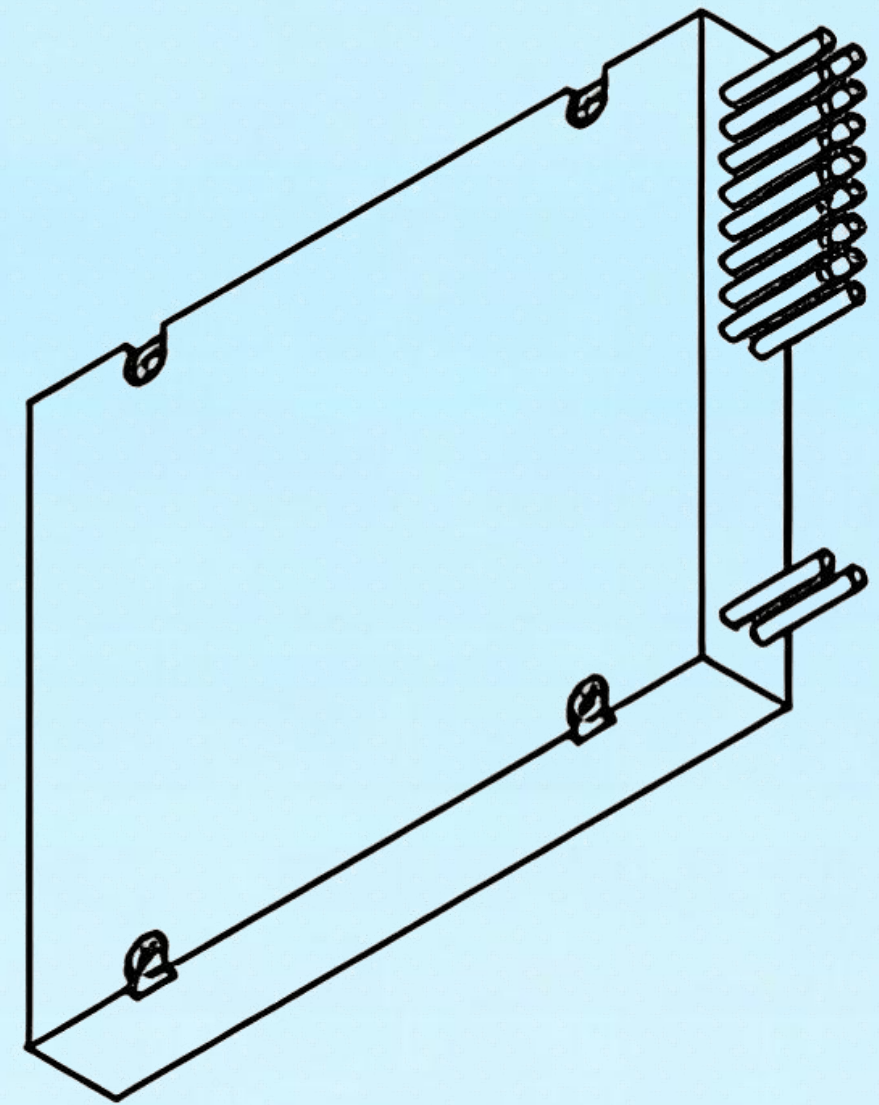
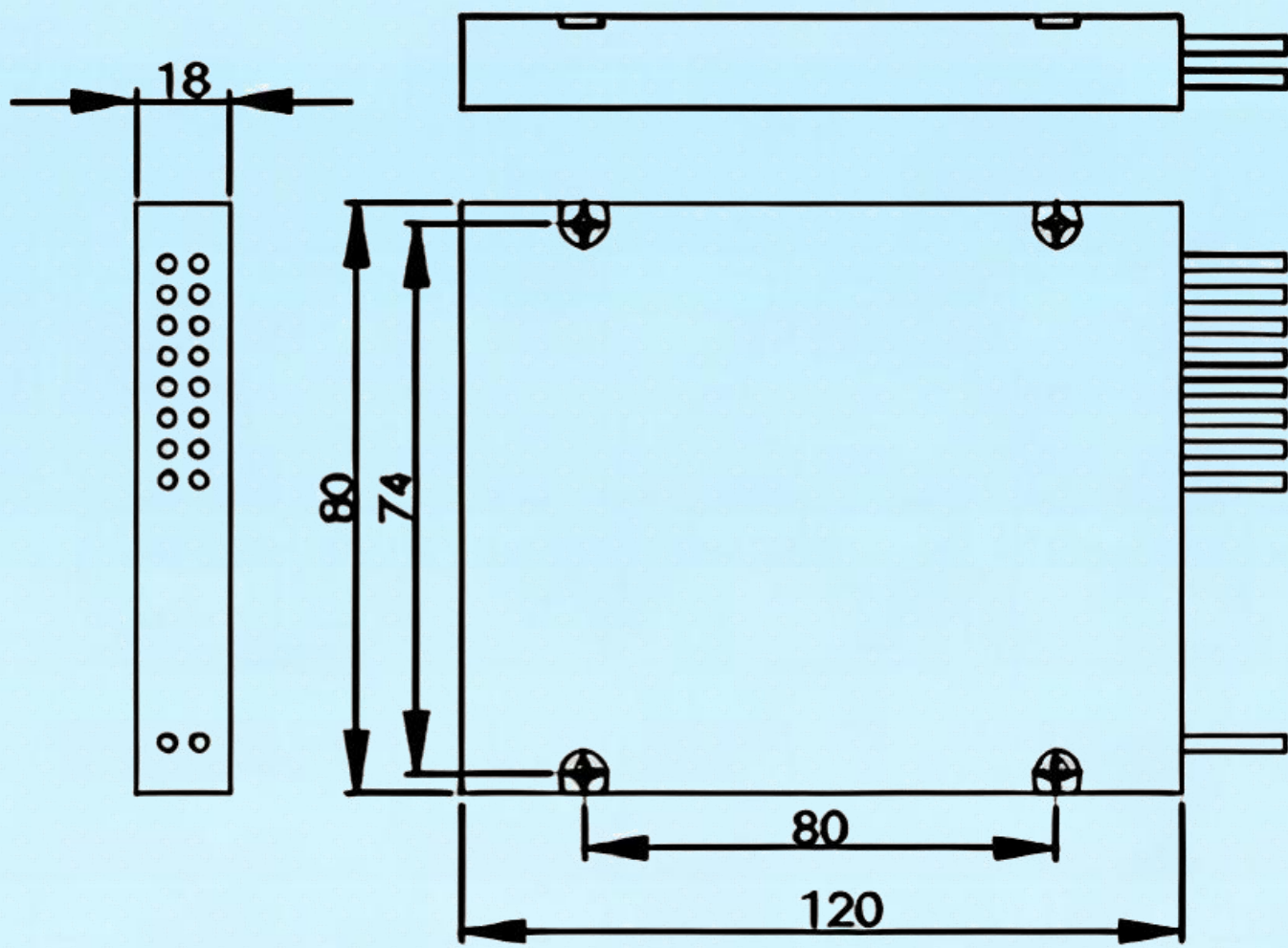
PLC Splitter Mini-Module



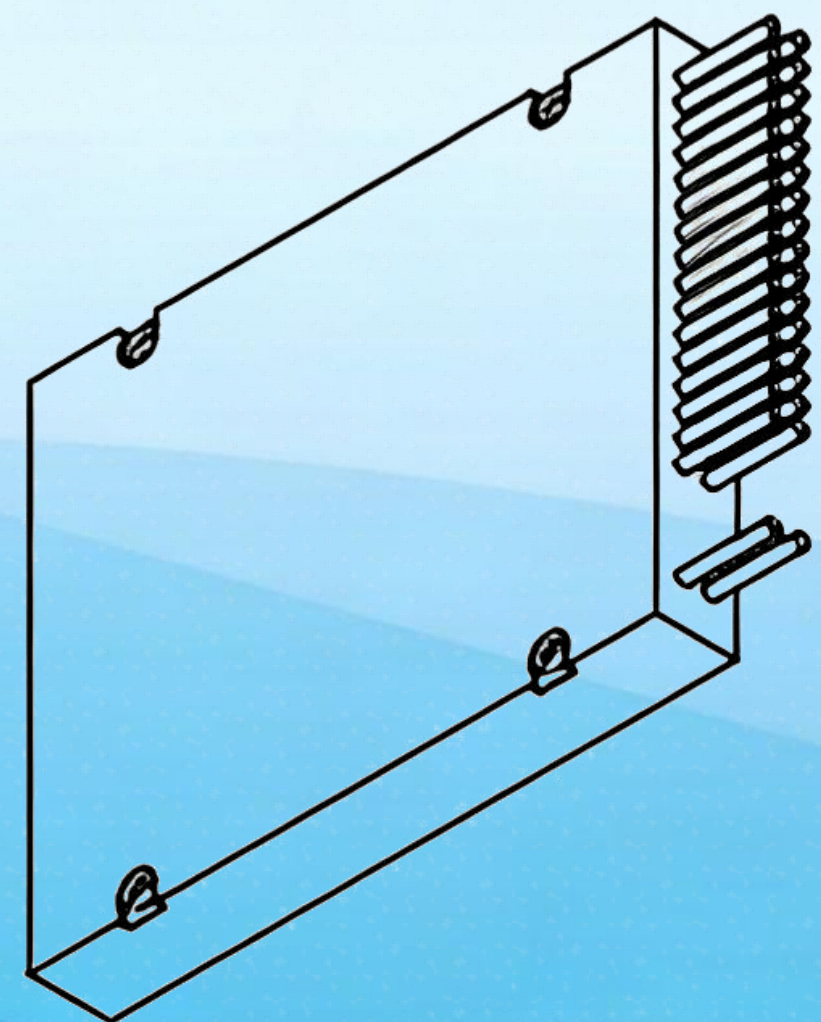
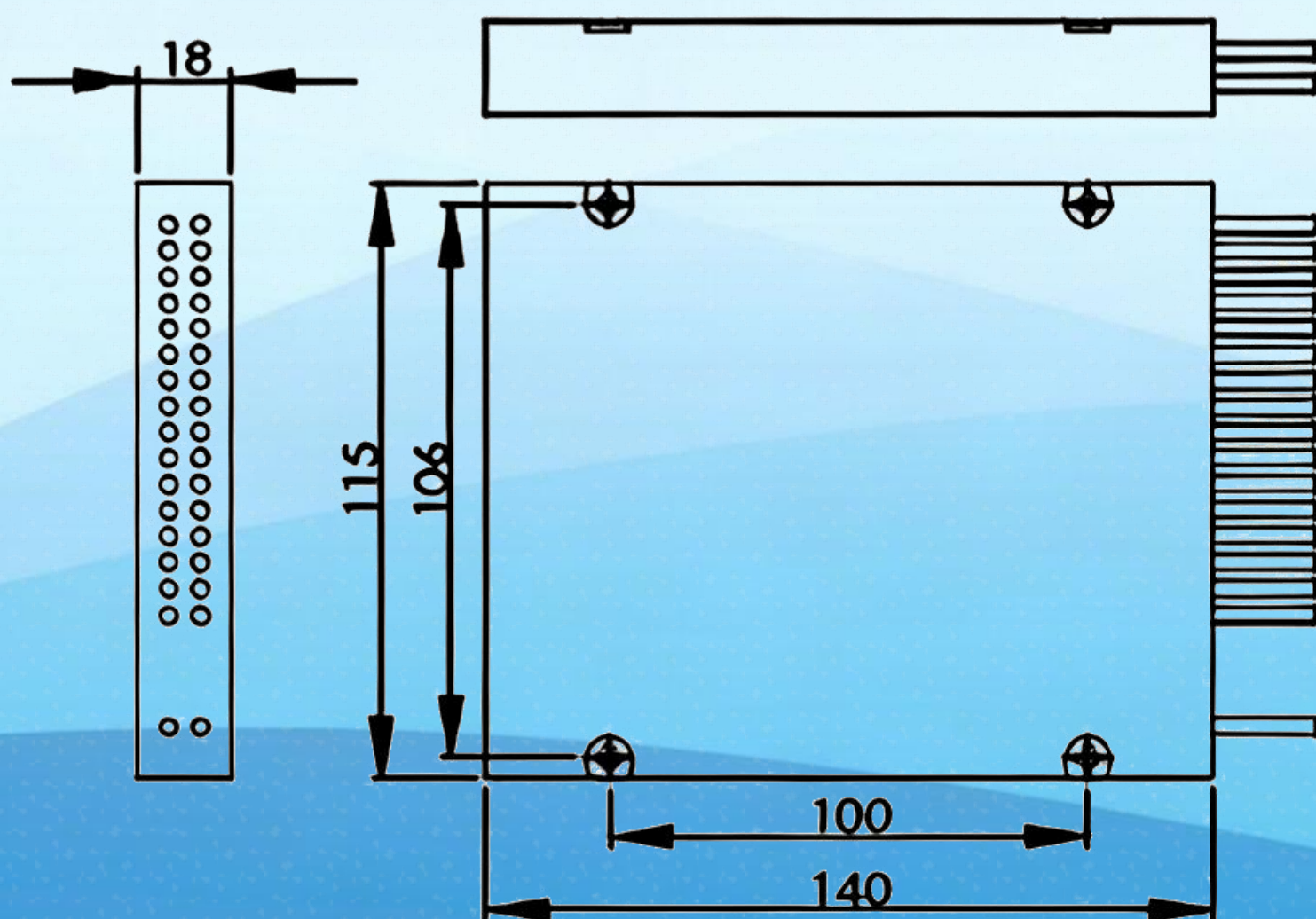
PLC Splitter Module



100X80X10



120X80X18



140X115X18