

## ODC FiberOptic Patch Cable



### Product Description:

- ◆ ODC fiber optic patch cables with extremely robust outdoor connector are designed to withstand harsh environment such as mechanical loads, high thermal exposure, and demanding environments like rain, salt and splash water.
- ◆ It is known for their ease of installation and highest operation safety due to the robust and ruggedized design.
- ◆ ODC military grade cables are installation-friendly for fixed or mobile applications and transmit reliably data over long distances under severe environmental conditions.

### Product Features:

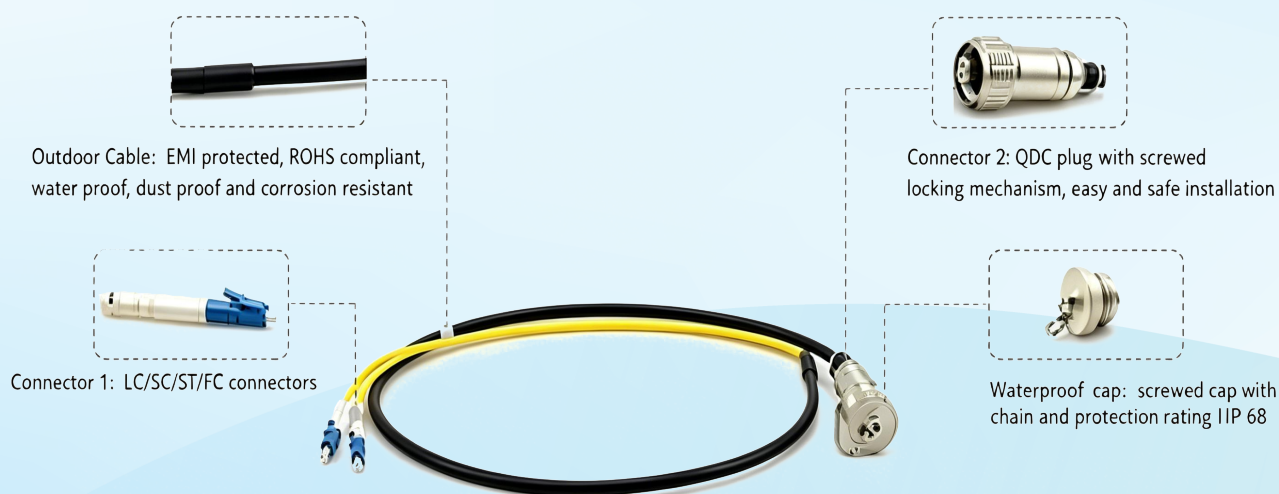
- ◆ Easy and safe installation Screwed locking mechanism
- ◆ 2 fibers singlemode or multimode
- ◆ Extension connector for cable chaining
- ◆ Built-in plug with square or hexagonal flange
- ◆ Water proof protection caps
- ◆ EMI protected, ROHS compliant
- ◆ Connector - ODC Plug to LC
- ◆ Compact design with 2x1.25mm ferrules
- ◆ Water proof, dust proof and corrosion resistant

## Product Specification:

Product Type	Outdoor Cable	Fiber Count	4 cores
Connector1	ODC Plug	Connector2	LC
Connector Polish	UPC	Protection Rating	IP67
Return Loss	≥50dB	Operating Temperature	-45°C-85°C

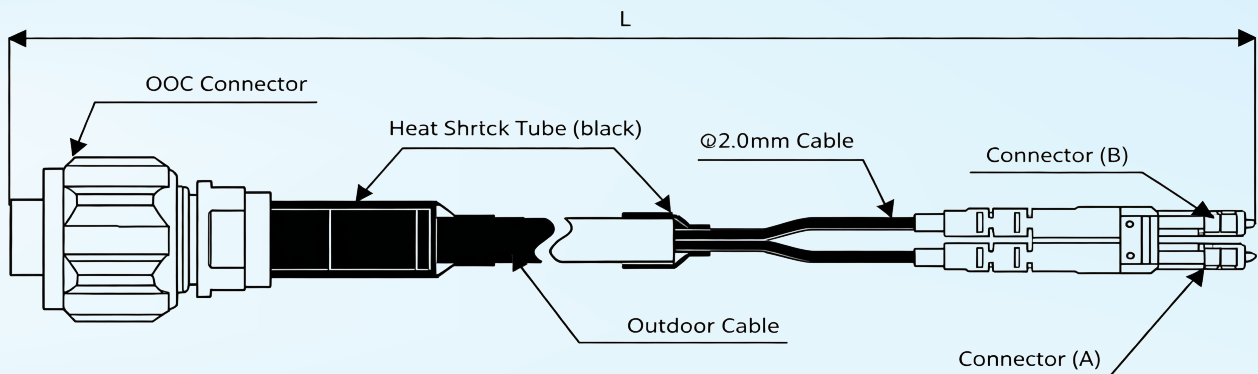
## ODC for Harsh Environment Connectivity:

- ◆ ODC fiber optic patch cables are used in outdoors, which suitable for different environment and large temperature range, typically used in FTTH.
- ◆ And ODC connector is next generation connectors for wireless base station application including WCDMA, TD-SCDMA, CDMA200, Wi-MAX, GSM. ODC provides highest reliability and operating safety.
- ◆ The ruggedized design provides highest mechanical and thermal robustness which keeps the data lines alive even in case of shock, strongest vibration, or accidental misuse.



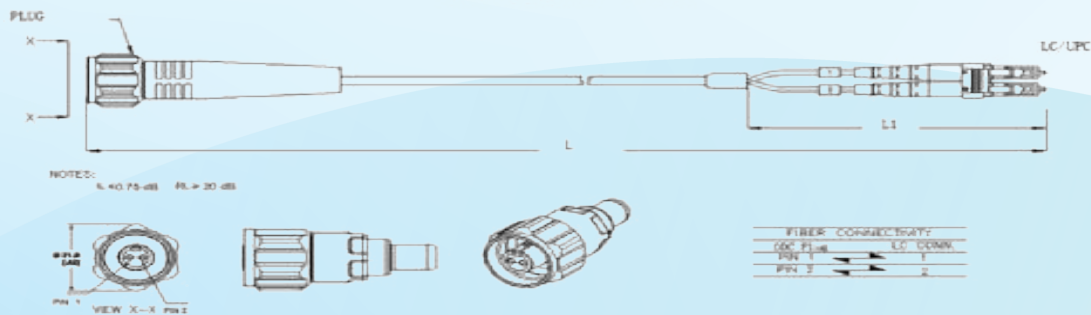
**Outdoor Fiber Cable Assemblies Solution:**

- ◆ ODC cables usually consist of LC fiber connector and ODC socket/plug connector, and the ODC socket can be directly connected to ODC plug for a complete set.
- ◆ The ODC connector is a kind of harsh environment fiber optical interfaces for remote radio heads.
- ◆ It is installed in many different types of environments such as costal areas, urban bulidings, rural tower sites and extreme temperatures, vibration, salt mist, corrosive gases and humidity are all typical challenges.

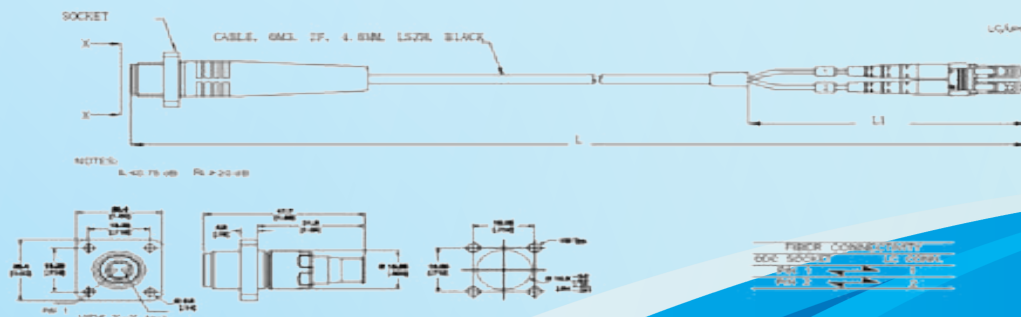


**PRODUCT DRAWINGS**

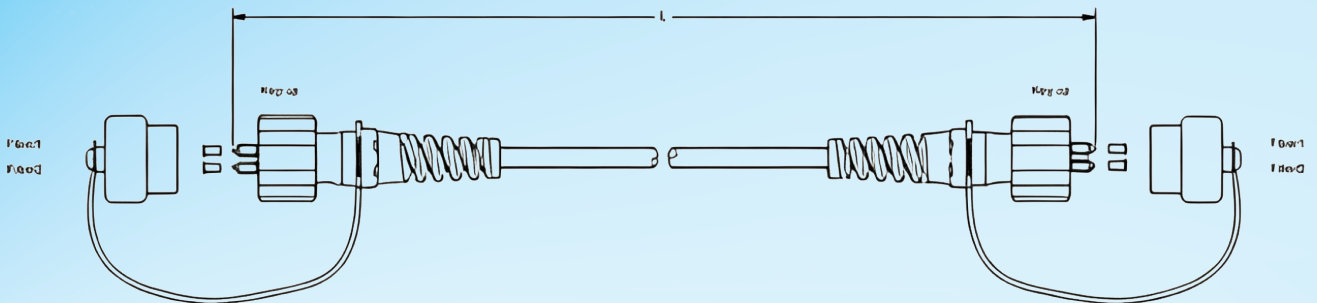
**2C ODC PLUG**



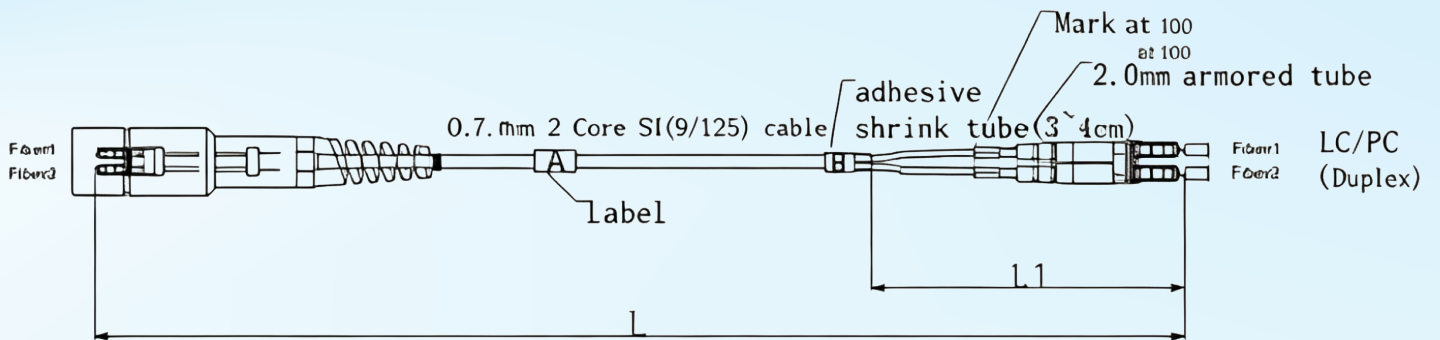
**2C ODC SOCKET**



### ODVA LC



### PDLC



Note:

1、 $IL \leq 0.3dB$ ;  $RL \leq -50dB$

### FULLAXS

