

MPO Modules and Chassis Datasheet

ProductsDescription:

- ◆ 24 Core MPO/MTP to LC Cassette provide secure transition between MPO/MTP and LC or SC discrete connectors.
- ◆ They provide a quick, reliably high performance and efficient way to deploy up to 24 LC or 12 SC fiber ports in a single module.
- ◆ The Modules can be mounted in 1U or 4U 19' multislots chassis.
- ◆ They are available in Multi-mode and Single-mode cable.

Features:

- ◆ Available in 12/24/48 fiber versions.
- ◆ High-density and small design, Easy and fast installation
- ◆ Field connections with guaranteed quality and simplifies fiber routing.
- ◆ Modular system management, easy reconfiguration for moves, adds and changes.
- ◆ Customized fiber polarity in the module.

Technique Parameters:

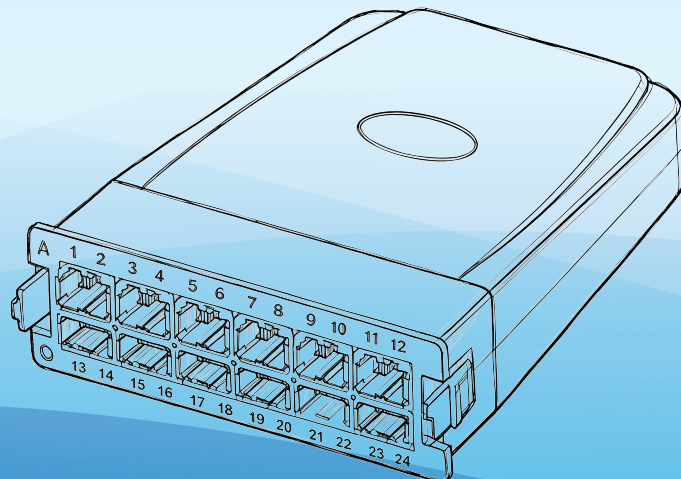
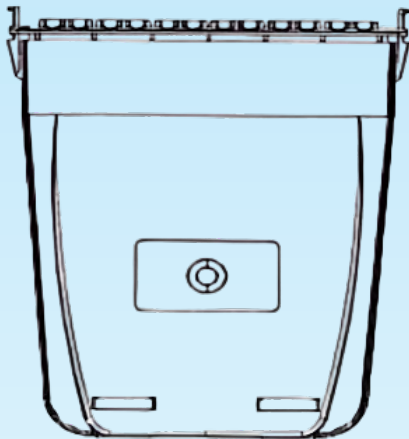
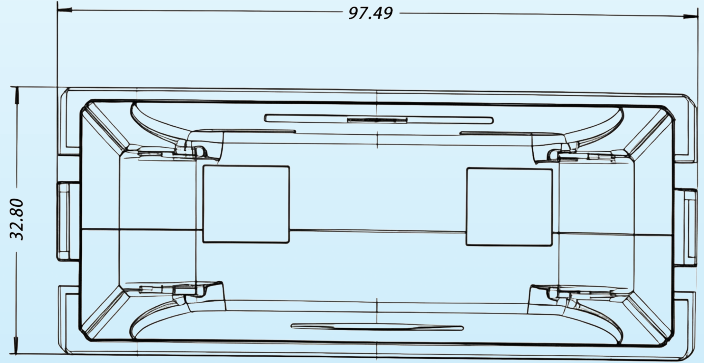
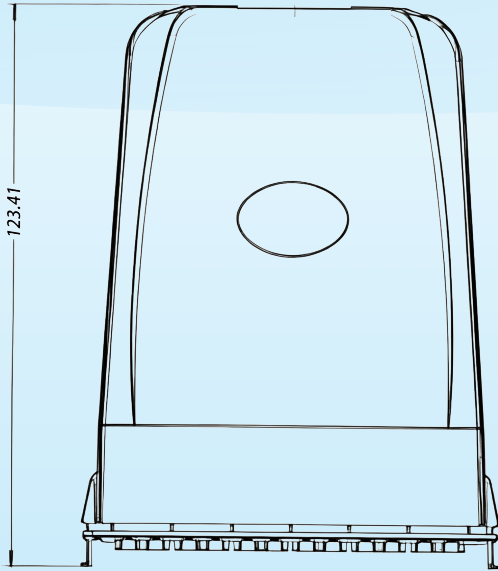
Element	Characteristic
Fibre	OS1/OS2, OM1, OM2, OM3,OM4
Adaptors	MTP/MPO; -LC Duplex; LC Quadruple; SC Duplex
Connectors	MTP/MPO connector; - LC connector; SC connector
Cassette Material	Colled rolled steel
Operating Temperature	-20~+60 °C
Storage Temperature	-40~+70 °C
Dimensions	129*128*34cm

Compatibility:

Widely compatible with Huawei,ZTE,H3C,Cisco,Ruijie,HP and other switches,routers,firewalls,network cards and other equipment.



Drawing for the Cassette:



504001

Drawing for the Chassis:

