

## Description:

ODC fiber optic cable assembly is rapidly becoming a standardized connector interface.

ODC connector is a new generation of fiber remote base station (WCDMA / TD-SCDMA / WiMAX / GSM) tailored products,

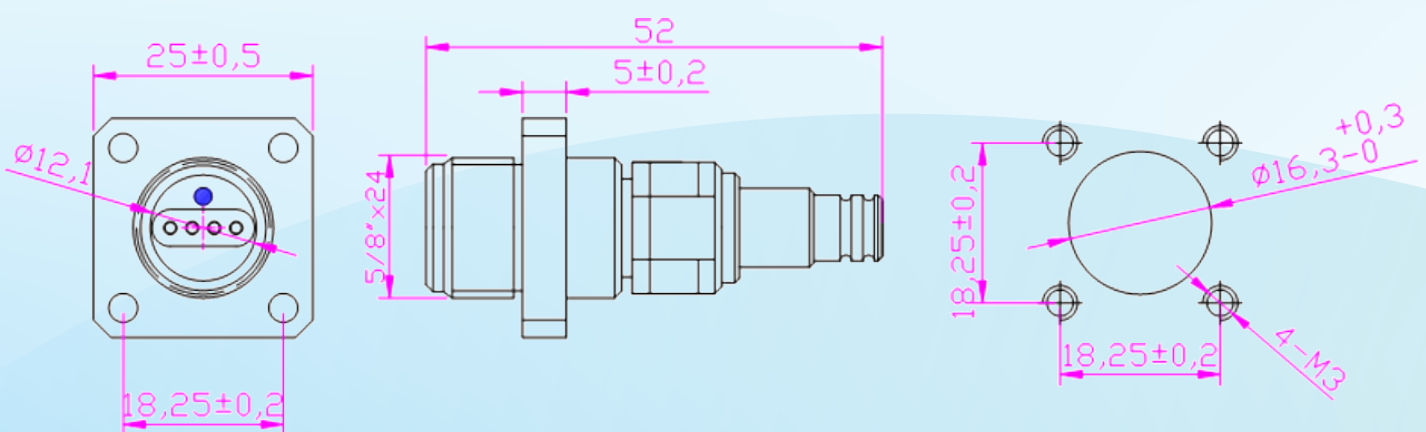
it can meet the FTTA (fiber to tower) program requirements, suitable for outdoor environments,

can withstand Severe environmental conditions and harsh climatic conditions test.1.9

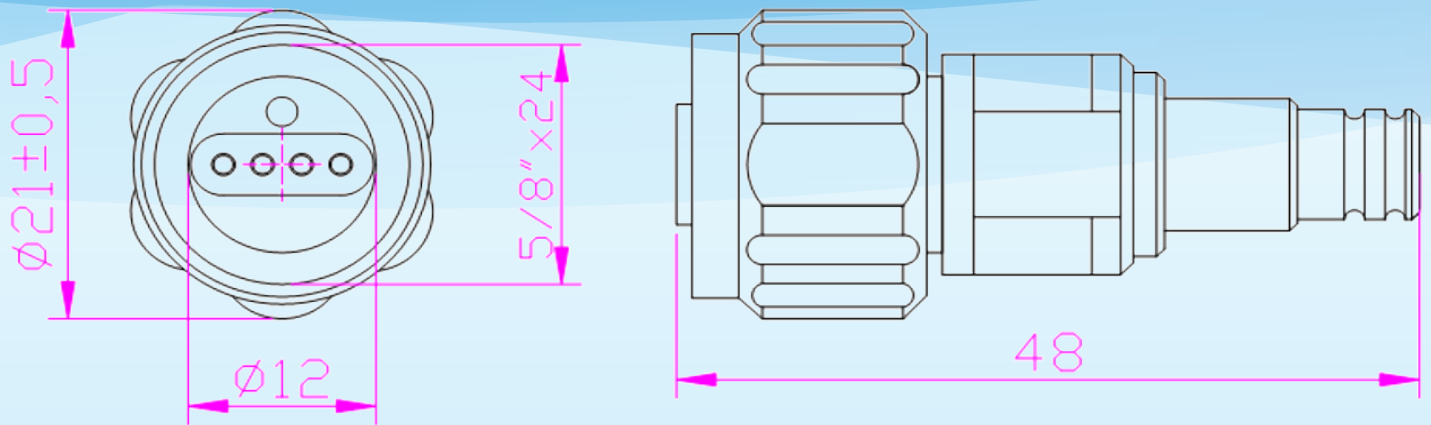
## Feature:

- 1.Thread locking mechanism to ensure long-term safe and reliable connection.
2. Guiding mechanism, you can use one-handed blind plug, simple and quick connection to install.
3. Waterproof, dust protection and corrosion protection for outdoor use.
4. Unique material design can do a better electromagnetic pulse protection and anti-electromagnetic interference.
5. Small size, can be used in the field of soft optical cable connection
6. Can be customized with different lengths of cable and connector combinations, in the form of SC, FC, ST, LC, DLC, DSC and so on.

## Structure picture:



4Fiber Plug ODC(female type)



4Fiber Socket ODC (male type)

